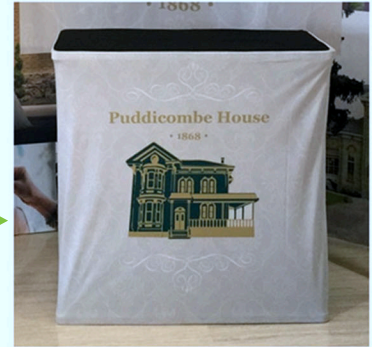




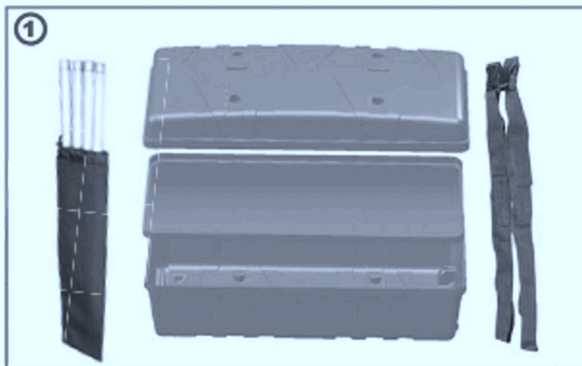
1
Closed view



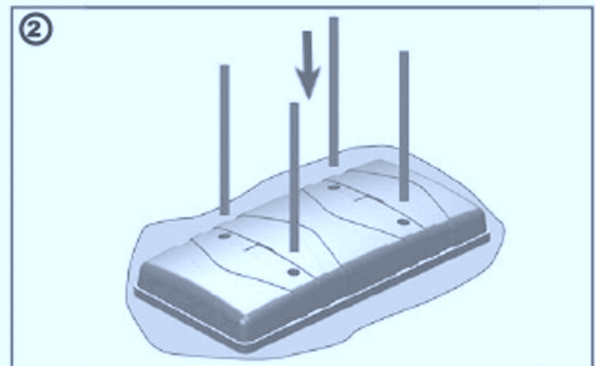
2
Frame Assembly



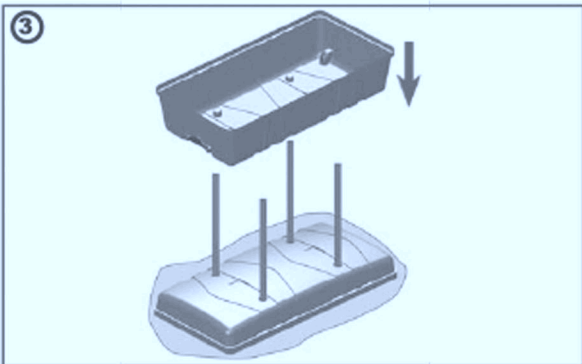
3
Closed view



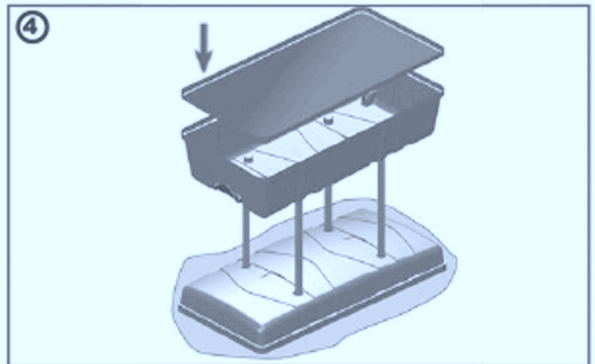
1
Unfasten packing string, take apart the shipping case, take out the vertical pipes.



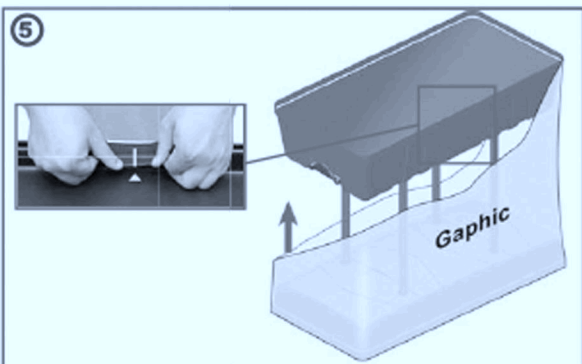
2
Put the cap of case in the middle of graphic and install vertical pipes.



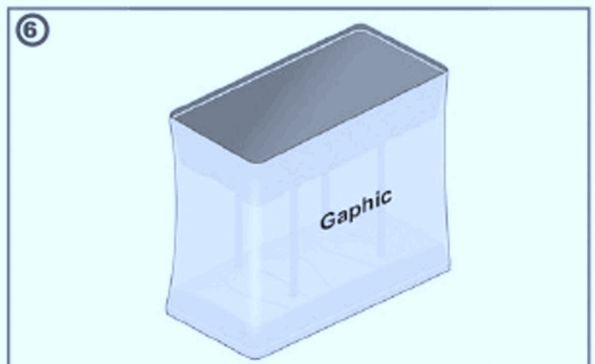
3
Install body of case well with vertical pipes.



4
Put the table top in the case.



5
Set up graphic upgrade, pay attention that mark line in graphic should match with the triangle mark in the table top.



6
Finish installment.